

American Revolution LED

Series 247L

PRODUCT OVERVIEW



Applications:

Streetscapes
Walkways
Pathways
Parks



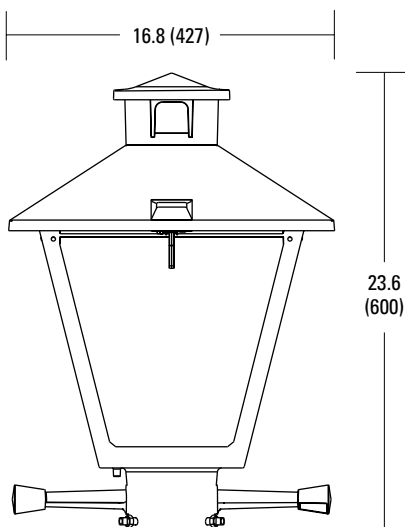
Features:

- Colonial LED lantern, replaces up to 250W HID models for street and area lighting applications
- Fifteen (15) LED performance packages deliver just the right amount of light for any given application up to 9,000 lumens
- Available in color temperature choices of 2700K, 3000K and 4000K
- Four (4) distinct light distribution options provide design flexibility, available in Type II, Type III, Type IV, and Type V
- Available with acrylic or polycarbonate lens
- Die-cast aluminum housing, engineered for sturdy lifelong performance
- Luminaire is rated for 3g vibration per ANSI C136.31
- Die-cast aluminum hood features a trigger latch (TL) option and captive thumb screws for fast, easy electrical and optical chamber access
- Standard paint finish is smooth gloss
- Housing is tenon pole-mounted and designed for use with a 3" tall by 2-3/8" to 3" diameter tenon, and secured by three set screws
- Rated LED and driver life greater than 100,000 hours at 25°C
- Surge protection device (standard) exceeds ANSI/IEEE C62.41-2002 Category C High (10kV/10kA) and ANSI C136.2-2015 Enhanced (10kV/5kA). 20KV Option exceeds ANSI/IEEE C62.41-2002 Category C High (10kV/10kA) and ANSI C136.2-2015 Extreme (20kV/10kA)
- Equipped with LED electronic 0-10V dimmable driver with DALI driver option

Standards:

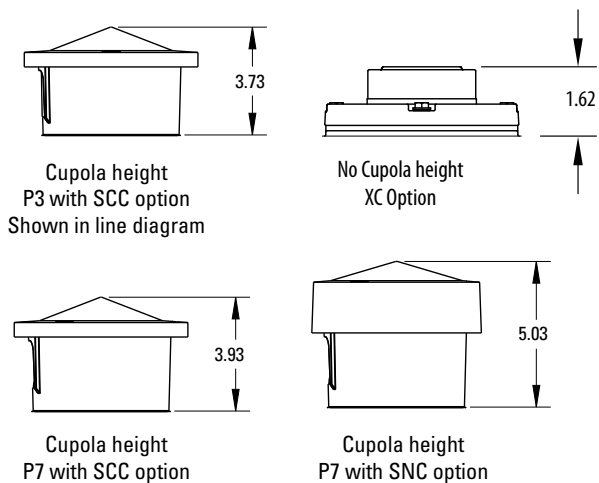
- Complies with all applicable ANSI C136 standards.
- CSA listed and suitable for up to 40°C ambient
- DesignLights Consortium® (DLC) qualified product. Not all versions of this product may be DLC qualified. Please check the DLC Qualified Products List at www.designlights.org/QPL to confirm which versions are qualified.
- **Buy American Act**
This product is assembled in the USA and meets the Buy America(n) government procurement requirements under FAR, DFARS and DOT regulations. Please refer to www.acuitybrands.com/resources/buy-american for additional information.

DIMENSIONS



Effective Projected Area (EPA)

The EPA for the American Revolution Series 247 is 1.6 sq. ft.
Fixture weight = 36 lbs.



*See Cupola Control Node Compatibility chart to ensure compatibility with smart controls

All dimensions are inches (millimeters) unless otherwise noted.

American Revolution LED

Series 247L

ORDERING INFORMATION

Example: 247L P155 MVOLT 40K R3 AY BK SCC PR7

Series	Performance Package	Voltage	Color Temperature (CCT)																																																												
247L American Revolution LED	<table border="1"> <thead> <tr> <th>Package</th> <th>Input Watts</th> <th>Lumens (nominal)</th> </tr> </thead> <tbody> <tr><td>P101</td><td>20</td><td>2,300</td></tr> <tr><td>P102</td><td>30</td><td>3,000</td></tr> <tr><td>P103</td><td>40</td><td>4,000</td></tr> <tr><td>P104</td><td>49</td><td>4,700</td></tr> <tr><td>P151</td><td>30</td><td>3,500</td></tr> <tr><td>P152</td><td>40</td><td>4,200</td></tr> <tr><td>P153</td><td>50</td><td>5,100</td></tr> <tr><td>P154</td><td>60</td><td>5,900</td></tr> <tr><td>P155</td><td>70</td><td>6,600</td></tr> <tr><td>P201</td><td>70</td><td>7,200</td></tr> <tr><td>P202</td><td>80</td><td>7,900</td></tr> <tr><td>P300</td><td>41</td><td>4,700</td></tr> <tr><td>P301</td><td>60</td><td>6,800</td></tr> <tr><td>P302</td><td>70</td><td>7,600</td></tr> <tr><td>P303</td><td>80</td><td>8,400</td></tr> </tbody> </table>	Package	Input Watts	Lumens (nominal)	P101	20	2,300	P102	30	3,000	P103	40	4,000	P104	49	4,700	P151	30	3,500	P152	40	4,200	P153	50	5,100	P154	60	5,900	P155	70	6,600	P201	70	7,200	P202	80	7,900	P300	41	4,700	P301	60	6,800	P302	70	7,600	P303	80	8,400	<table border="1"> <tbody> <tr><td>MVOLT</td><td>120-277V</td></tr> <tr><td>HVOLT</td><td>347-480V</td></tr> <tr><td>XVOLT</td><td>277-480V with enhanced power quality protection</td></tr> </tbody> </table>	MVOLT	120-277V	HVOLT	347-480V	XVOLT	277-480V with enhanced power quality protection	<table border="1"> <tbody> <tr><td>27K</td><td>2700K</td></tr> <tr><td>30K</td><td>3000K</td></tr> <tr><td>40K</td><td>4000K</td></tr> </tbody> </table>	27K	2700K	30K	3000K	40K	4000K
Package	Input Watts	Lumens (nominal)																																																													
P101	20	2,300																																																													
P102	30	3,000																																																													
P103	40	4,000																																																													
P104	49	4,700																																																													
P151	30	3,500																																																													
P152	40	4,200																																																													
P153	50	5,100																																																													
P154	60	5,900																																																													
P155	70	6,600																																																													
P201	70	7,200																																																													
P202	80	7,900																																																													
P300	41	4,700																																																													
P301	60	6,800																																																													
P302	70	7,600																																																													
P303	80	8,400																																																													
MVOLT	120-277V																																																														
HVOLT	347-480V																																																														
XVOLT	277-480V with enhanced power quality protection																																																														
27K	2700K																																																														
30K	3000K																																																														
40K	4000K																																																														

Distribution	Optics	Paint (smooth gloss)	Cupola	Photocontrol Receptacle
R2 Type II R3 Type III R4 Type IV R5 Type V	AY Acrylic PY Polycarbonate	BK Black GY Gray DDB Dark Bronze WH White BZ Bronze	SCC Standard cupola SNC Smart node cupola XC No cupola	NR No photocontrol receptacle PR3 3 pin NEMA photocontrol PR7 7 pin NEMA photocontrol

Options

Options	Miscellaneous	House-Side Shields	Accessories (ship separately):
PCLL Solid State Long Life Photocontrol, 120-277V (fail off)	SS Stainless steel hardware	HSB House Side Black	247LFHSW Field installable white shield (HSW)
P34 Solid State Long Life Photocontrol, 347V (fail off)	TL Tool-less trigger latch entry	HSW House Side White	247LFHSB Field installable black shield (HSB)
P48 Solid State Long Life Photocontrol, 480V (fail off)	NL1X1 1" x 1" NEMA label	Prewired leads	247LFAY Field installable acrylic (AY) optic
PCSS Solid state photocontrol, 120-277V (Not CSA Listed) (fail on)	NL2X2 2" x 2" NEMA label	L1H 1.5 ft. prewire leads	247LFPY Field installable polycarbonate (PY) optic
SH Shorting cap	XL Not CSA Listed	L03 3 ft. prewire leads	
AO Field adjustable output module	LDR Ladder Rest	L10 10 ft. prewire leads	
DALI DALI driver (RFD required)	CR Epoxy Pre-Coat Finish	L20 20 ft. prewire leads	
	20kV 20kV/10kA surge protection device	L25 25 ft. prewire leads	
	CNV Field convertible to full cutoff	L30 30 ft. prewire leads	
	BAA Buy America(n) Act compliant		

Note: Check the OPTIONS MATRIX on Page 3 for compatibility & restrictions



AEL Headquarters, One Lithonia Way, Conyers Georgia 30012
 www.americanelectricalighting.com Phone: 1-866-HOLOPHANE
 Email: TechSupportINF@AcuityBrands.com
 © 2019-2024 Acuity Brands Lighting, Inc. All Rights Reserved. 247L Rev. 01/11/24

Warranty Five-year limited warranty. This is the only warranty provided and no other statements in this specification sheet create any warranty of any kind. All other express and implied warranties are disclaimed. Complete warranty terms located at: www.acuitybrands.com/support/warranty/terms-and-conditions

Note: Actual performance may differ as a result of end-user environment and application. All values are design or typical values, measured under laboratory conditions at 25 °C. Specifications subject to change without notice.

Please contact your sales representative for the latest product information.

American Revolution LED

Series 247L

OPTIONS MATRIX

		Voltage			Distribution				Cupola			Receptacle			Photocontrol					Other					
		MVOLT	HVOLT	XVOLT	R2	R3	R4	R5	SCC	SNC	XC	PR3	PR7	NR	PCLL	PCSS	P34	P48	SH	AO	DALI	20KV	CNV	XL	
Lumen Package	P101	Y	N	N	Y	Y	Y	Y	Y	Y	Y	Y	Y	Y	Y	Y	Y	Y	Y	Y	N	Y	Y	Y	
	P102	Y	Y	N	Y	Y	Y	Y	Y	Y	Y	Y	Y	Y	Y	Y	Y	Y	Y	Y	RFD	Y	Y	Y	
	P103	Y	Y	N	Y	Y	Y	Y	Y	Y	Y	Y	Y	Y	Y	Y	Y	Y	Y	Y	RFD	Y	Y	Y	
	P104	Y	Y	N	Y	Y	Y	Y	Y	Y	Y	Y	Y	Y	Y	Y	Y	Y	Y	Y	RFD	Y	Y	Y	
	P151	Y	Y	N	Y	Y	N	Y	Y	Y	Y	Y	Y	Y	Y	Y	Y	Y	Y	Y	RFD	Y	Y	Y	
	P152	Y	Y	N	Y	Y	N	Y	Y	Y	Y	Y	Y	Y	Y	Y	Y	Y	Y	Y	RFD	Y	Y	Y	
	P153	Y	Y	Y	Y	Y	N	Y	Y	Y	Y	Y	Y	Y	Y	Y	Y	Y	Y	Y	RFD	Y	Y	Y	
	P154	Y	Y	Y	Y	Y	N	Y	Y	Y	Y	Y	Y	Y	Y	Y	Y	Y	Y	Y	RFD	Y	Y	Y	
	P155	Y	Y	N	Y	Y	N	Y	Y	Y	Y	Y	Y	Y	Y	Y	Y	Y	Y	Y	RFD	Y	Y	Y	
	P201	Y	Y	Y	Y	Y	Y	Y	Y	Y	Y	Y	Y	Y	Y	Y	Y	Y	Y	Y	RFD	Y	Y	Y	
	P202	Y	Y	Y	Y	Y	Y	Y	Y	Y	Y	Y	Y	Y	Y	Y	Y	Y	Y	Y	RFD	Y	Y	Y	
	P300	Y	Y	N	Y	Y	N	Y	Y	Y	Y	Y	Y	Y	Y	Y	Y	Y	Y	Y	RFD	Y	Y	Y	
	P301	Y	Y	Y	Y	Y	N	Y	Y	Y	Y	Y	Y	Y	Y	Y	Y	Y	Y	Y	RFD	Y	Y	Y	
	P302	Y	Y	Y	Y	Y	N	Y	Y	Y	Y	Y	Y	Y	Y	Y	Y	Y	Y	Y	RFD	Y	Y	Y	
P303	Y	Y	Y	Y	Y	N	Y	Y	Y	Y	Y	Y	Y	Y	Y	Y	Y	Y	Y	RFD	Y	Y	Y		
Voltage	MVOLT				Y	Y	Y	Y	Y	Y	Y	Y	Y	Y	Y	Y	N	N	N	Y	Y	RFD	Y	Y	Y
	HVOLT				Y	Y	Y	Y	Y	Y	Y	Y	Y	Y	N	N	Y	Y	Y	Y	N	Y	Y	Y	
	XVOLT				Y	Y	Y	Y	Y	Y	Y	Y	Y	Y	Y	Y	Y	Y	Y	Y	N	Y	Y	Y	
Cupola	SCC	Y	Y	Y	Y	Y	Y	Y			Y	Y	Y	Y	Y	Y	Y	Y	Y	RFD	Y	Y	Y		
	SNC	Y	Y	Y	Y	Y	Y	Y			N	Y	N	Y	Y	Y	Y	Y	Y	RFD	Y	Y	Y		
	XC	Y	Y	Y	Y	Y	Y	Y			Y	Y	N	Y	Y	Y	Y	Y	Y	RFD	Y	Y	Y		
Receptacle	PR3	Y	Y	Y	Y	Y	Y	Y	Y	N	Y			Y	Y	Y	Y	Y	Y	RFD	Y	Y	Y		
	PR7	Y	Y	Y	Y	Y	Y	Y	Y	Y				Y	Y	Y	Y	Y	Y	RFD	Y	Y	Y		
	NR	Y	Y	Y	Y	Y	Y	Y	Y	N	N			N	N	N	N	N	Y	RFD	Y	Y	Y		
Photocontrol	PCLL	Y	N	Y	Y	Y	Y	Y	Y	Y	Y	Y	N						Y	RFD	Y	Y	Y		
	PCSS	Y	N	Y	Y	Y	Y	Y	Y	Y	Y	Y	N						Y	RFD	Y	Y	Y		
	P34	N	Y	Y	Y	Y	Y	Y	Y	Y	Y	Y	N						Y	RFD	Y	Y	Y		
	P48	N	Y	Y	Y	Y	Y	Y	Y	Y	Y	Y	N						Y	RFD	Y	Y	Y		
	SH	Y	Y	Y	Y	Y	Y	Y	Y	Y	Y	Y	N						Y	RFD	Y	Y	Y		
Other	AO	Y	Y	Y	Y	Y	Y	Y	Y	Y	Y	Y	Y	Y	Y	Y	Y	Y		N	Y	Y	Y		
	DALI	RFD	N	N	Y	Y	Y	Y	Y	Y	Y	RFD	RFD	RFD	RFD	RFD	RFD	RFD	N		RFD	RFD	RFD		
	20KV	Y	Y	Y	Y	Y	Y	Y	Y	Y	Y	Y	Y	Y	Y	Y	Y	Y	Y	RFD		Y	Y		
	CNV	Y	Y	Y	Y	Y	Y	Y	Y	Y	Y	Y	Y	Y	Y	Y	Y	Y	Y	RFD	Y		N		
	XL	Y	Y	Y	Y	Y	Y	Y	Y	Y	Y	Y	Y	Y	Y	Y	Y	Y	Y	RFD	Y	N			

MATRIX KEY

Y = Option combination is available

N = Option combination is not available

RFD = Option combination is available but additional information required. Consult factory.

Cupola Control Node Compatibility		
Cupola Option	Acuity Brands Control	
	nLight rTLN	DTL DIN
XC	Yes	Yes
SCC	No	No
SNC	No	Yes



Warranty Five-year limited warranty. This is the only warranty provided and no other statements in this specification sheet create any warranty of any kind. All other express and implied warranties are disclaimed. Complete warranty terms located at: www.acuitybrands.com/support/warranty/terms-and-conditions

Note: Actual performance may differ as a result of end-user environment and application. All values are design or typical values, measured under laboratory conditions at 25 °C. Specifications subject to change without notice.

Please contact your sales representative for the latest product information.

American Revolution LED

Series 247L

OPERATING CHARACTERISTICS

Performance Package	Wattage	CCT	AY Optic							
			R2		R3		R4		R5	
			Lumens	LPW	Lumens	LPW	Lumens	LPW	Lumens	LPW
P101	20	2700K	2,182	109	2,169	108	2,130	107	2,240	112
		3000K	2,277	114	2,264	113	2,224	111	2,338	117
		4000K	2,376	119	2,362	118	2,320	116	2,440	122
P102	30	2700K	2,954	98	2,937	98	2,885	96	3,034	101
		3000K	3,083	103	3,066	102	3,011	100	3,166	106
		4000K	3,217	107	3,199	107	3,142	105	3,304	110
P103	40	2700K	3,794	95	3,772	94	3,705	93	3,896	97
		3000K	3,960	99	3,937	98	3,867	97	4,066	102
		4000K	4,132	103	4,108	103	4,035	101	4,243	106
P104	49	2700K	4,506	91	4,480	91	4,400	89	4,627	94
		3000K	4,703	95	4,676	95	4,593	93	4,830	98
		4000K	4,908	99	4,880	99	4,793	97	5,039	102
P151	30	2700K	3,329	111	3,310	110	--	--	3,419	114
		3000K	3,475	116	3,455	115	--	--	3,569	119
		4000K	3,626	121	3,606	120	--	--	3,724	124
P152	40	2700K	4,040	101	4,017	100	--	--	4,149	104
		3000K	4,217	105	4,193	105	--	--	4,331	108
		4000K	4,400	110	4,375	109	--	--	4,519	113
P153	50	2700K	4,883	98	4,855	97	--	--	5,014	100
		3000K	5,096	102	5,067	101	--	--	5,233	105
		4000K	5,318	106	5,288	106	--	--	5,461	109
P154	60	2700K	5,645	94	5,613	94	--	--	5,797	97
		3000K	5,892	98	5,858	98	--	--	6,050	101
		4000K	6,148	102	6,113	102	--	--	6,314	105
P155	70	2700K	6,402	91	6,366	91	--	--	6,574	94
		3000K	6,682	95	6,644	95	--	--	6,862	98
		4000K	6,973	100	6,933	99	--	--	7,160	102
P201	70	2700K	6,925	99	6,885	98	6,763	97	7,111	102
		3000K	7,228	103	7,187	103	7,059	101	7,422	106
		4000K	7,542	108	7,499	107	7,366	105	7,745	111
P202	80	2700K	7,597	95	7,554	94	7,419	93	7,801	98
		3000K	7,929	99	7,884	99	7,744	97	8,143	102
		4000K	8,274	103	8,227	103	8,080	101	8,497	106
P300	41	2700K	4,494	111	4,468	110	--	--	4,615	114
		3000K	4,690	116	4,664	115	--	--	4,816	119
		4000K	4,894	121	4,866	120	--	--	5,026	124
P301	60	2700K	6,544	109	6,507	108	--	--	6,720	112
		3000K	6,831	114	6,792	113	--	--	7,014	117
		4000K	7,128	119	7,087	118	--	--	7,319	122
P302	70	2700K	7,310	104	7,269	104	--	--	7,507	107
		3000K	7,630	109	7,587	108	--	--	7,835	112
		4000K	7,962	114	7,917	113	--	--	8,176	117
P303	80	2700K	8,064	101	8,018	100	--	--	8,281	104
		3000K	8,417	105	8,369	105	--	--	8,643	108
		4000K	8,783	110	8,733	109	--	--	9,019	113

Optic	Factor
AY	1.00
PY	.92



AEL Headquarters, One Lithonia Way, Conyers Georgia 30012
 www.americanelectricalighting.com Phone: 1-866-HOLOPHANE
 Email: TechSupportINF@AcuityBrands.com
 © 2019-2024 Acuity Brands Lighting, Inc. All Rights Reserved. 247L Rev. 01/11/24

Warranty Five-year limited warranty. This is the only warranty provided and no other statements in this specification sheet create any warranty of any kind. All other express and implied warranties are disclaimed. Complete warranty terms located at: www.acuitybrands.com/support/warranty/terms-and-conditions

Note: Actual performance may differ as a result of end-user environment and application. All values are design or typical values, measured under laboratory conditions at 25 °C. Specifications subject to change without notice.

Please contact your sales representative for the latest product information.

American Revolution LED

Series 247L

PROJECTED LED LUMEN MAINTENANCE

Data references the extrapolated performance projections for the platforms noted in a 25°C ambient, based on 6,000 hours of LED testing (tested per IESNA LM-80-08 and projected per IESNA TM-21-11). For other lumen maintenance values, contact factory.

LED Lumen Maintenance							
Performance Package	Initial	25k hours	36k hours	50k hours	60k hours	75k hours	100k hours
P101, P102, P151, P300	1.00	0.96	0.94	0.92	0.90	0.88	0.85
P103, P152	1.00	0.95	0.93	0.91	0.90	0.87	0.84
P153, P301, P302	1.00	0.95	0.93	0.91	0.89	0.87	0.83
P104, P154, P201, P303	1.00	0.95	0.93	0.90	0.89	0.86	0.82
P155, P202	1.00	0.94	0.92	0.89	0.88	0.85	0.80

LUMEN AMBIENT TEMPERATURE (LAT) MULTIPLIERS

Use these factors to determine relative lumen output for average ambient temperatures from 0-40°C (32-104°F).

Luminaire Ambient Temperature (LAT) Multiplier								
0°C	5°C	10°C	15°C	20°C	25°C	30°C	35°C	40°C
1.04	1.03	1.02	1.02	1.01	1.00	0.99	0.98	0.97

